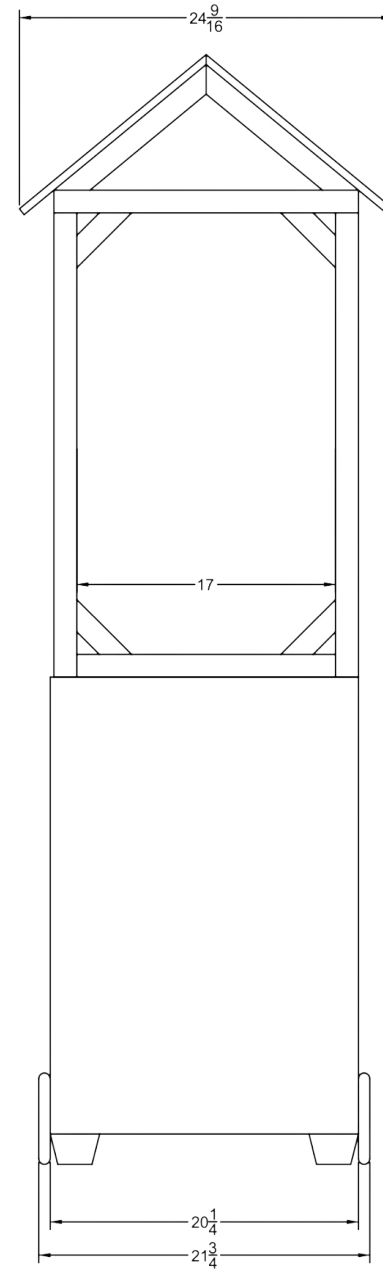
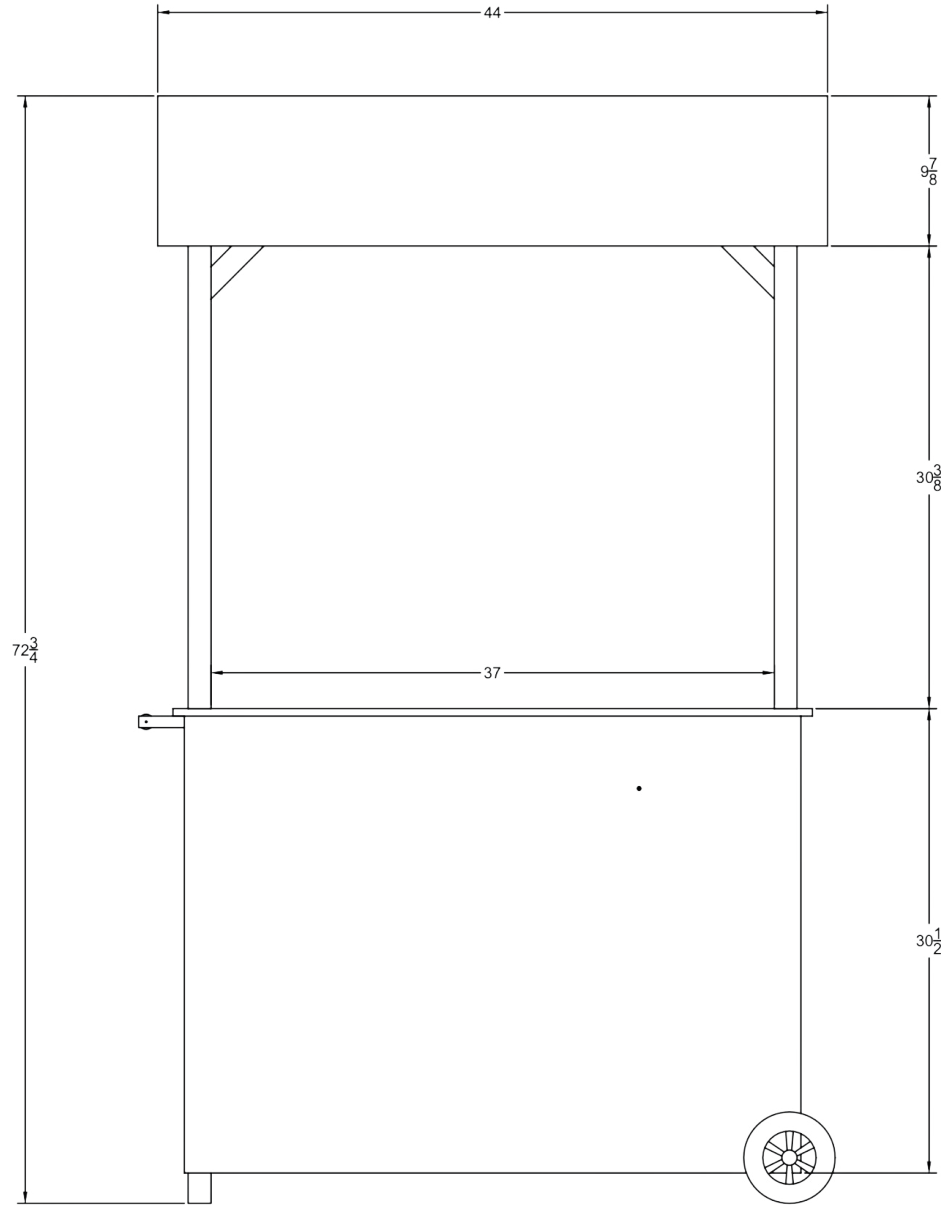


# Easy DIY Lemonade Stand



# Easy DIY Lemonade Stand

## Materials:

- 10 pieces of 1 1/2" x 1 1/2" x 8' boards
- 1 pieces of 1/2"x 4' x 8' Plywood
- 1 pieces of 1/4"x 4' x 8' Plywood
- 1 pieces of 1" diameter wood dowel x 20 1/4" long
- 1 set [6" wheels](#)
- 1 set [4" "L" bracket](#)
- 2 bolts [5/16" Lag Screw](#)
- 2 washers [5/16" washer](#)



See full build on YouTube: [Easy DIY Lemonade Stand](#)

see [how-to-make-an-easy-diy-lemonade-stand-with-build-plans](#) for further details to build this stand

# Easy DIY Lemonade Stand

## Cut List:

Part	Thickness	Width	Length	Quantity	*Notes*
A	1 1/2	1 1/2	37	5	-
B	1 1/2	1 1/2	30	4	-
C	1 1/2	1 1/2	18 1/2	6	-
D	1 1/2	1 1/2	1 1/2	12	angle cut
E	1 1/2	1 1/2	37	3	-
F	1 1/2	1 1/2	30 1/2	4	-
G	1 1/2	1 1/2	20	6	-
H	1 1/2	1 1/2	5	12	angle cut
I	1 1/2	1 1/2	13	4	-
J	1 1/2	2	3 1/4	2	-
K	1/2	15 1/2	44	2	angle cut
L	1/2	21 1/4	42	1	-
M	1/2	20	40	1	-
N	1/4	20	30	2	-
O	1/4	30	40 1/2	1	-

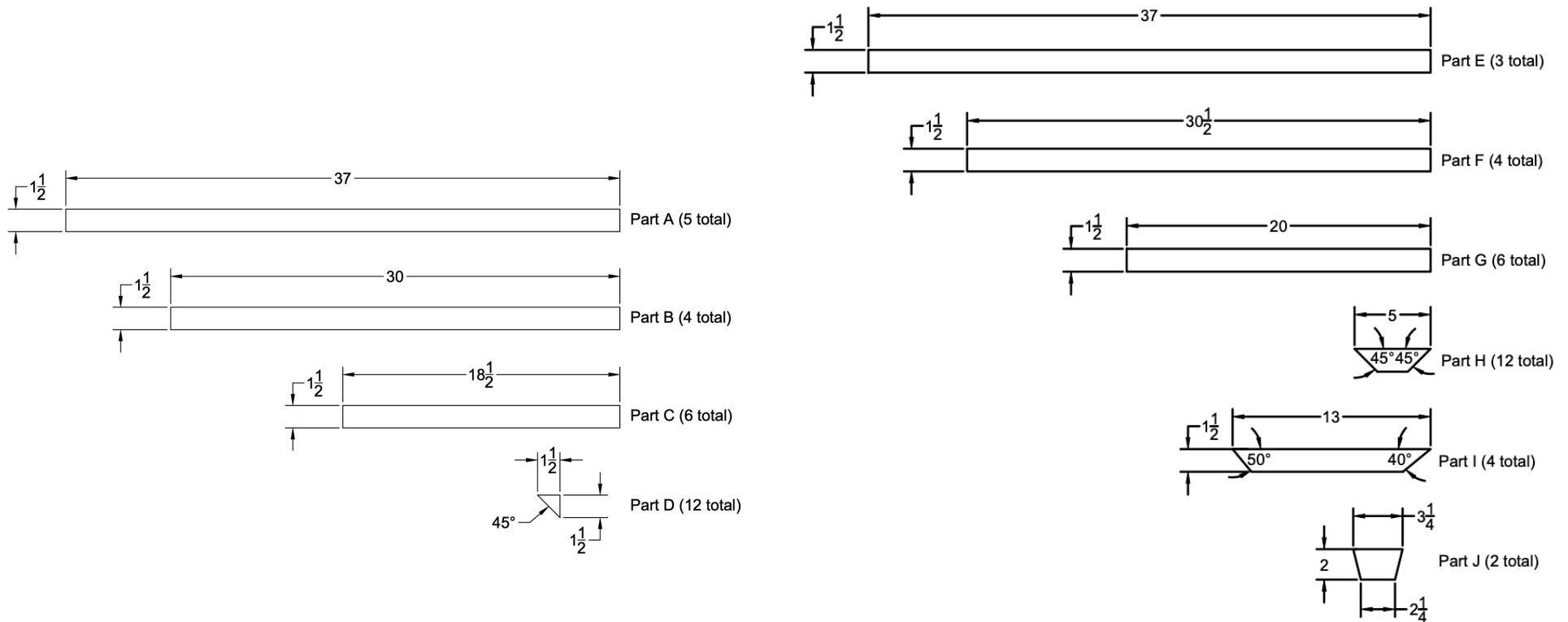


See full build on YouTube: [Easy DIY Lemonade Stand](#)

see [how-to-make-an-easy-diy-lemonade-stand-with-build-plans](#) for further details to build this stand

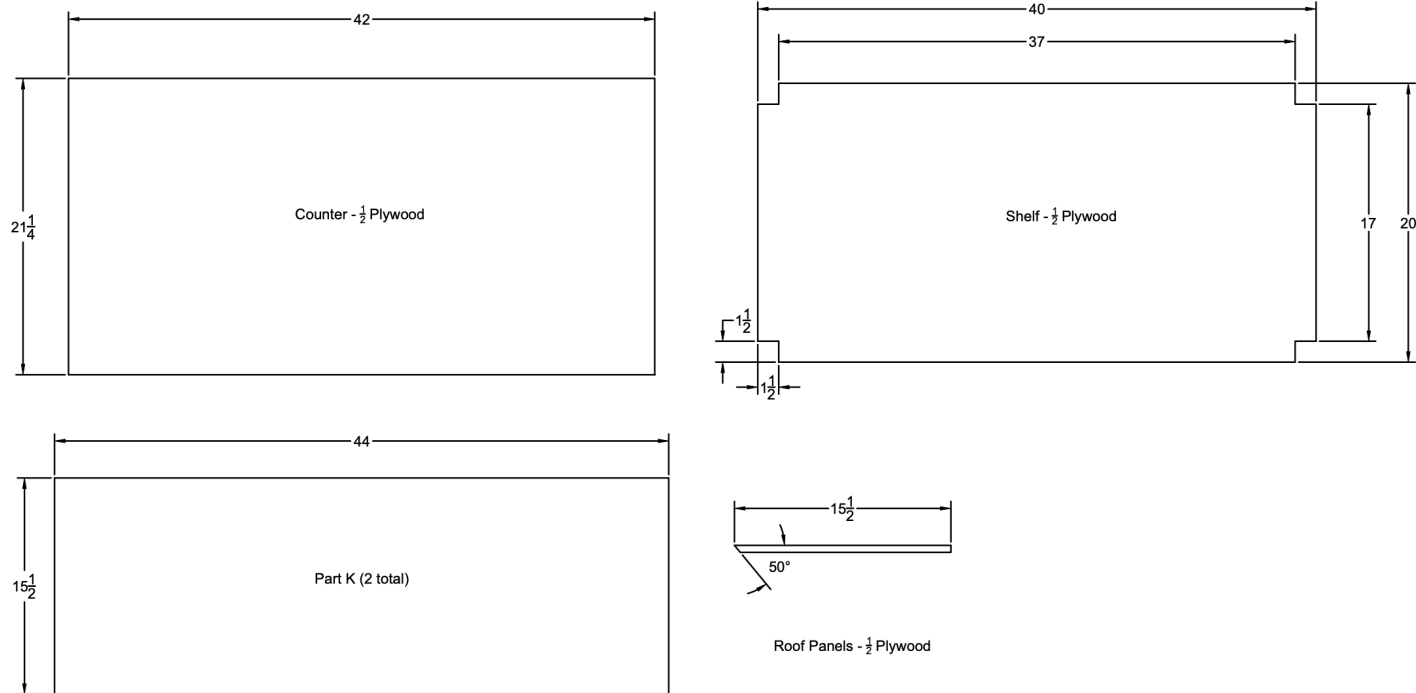
# Easy DIY Lemonade Stand

## Step 1: Cut Materials to length



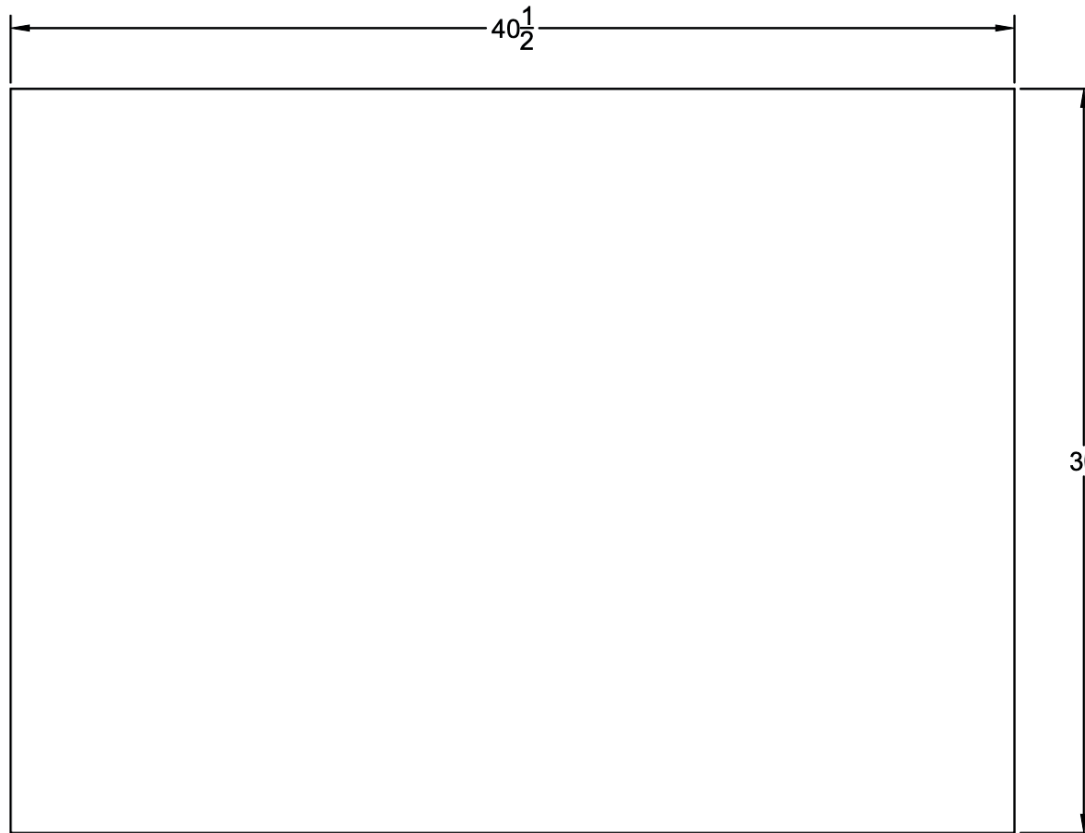
# Easy DIY Lemonade Stand

## Step 1: Cut Materials to length - continued

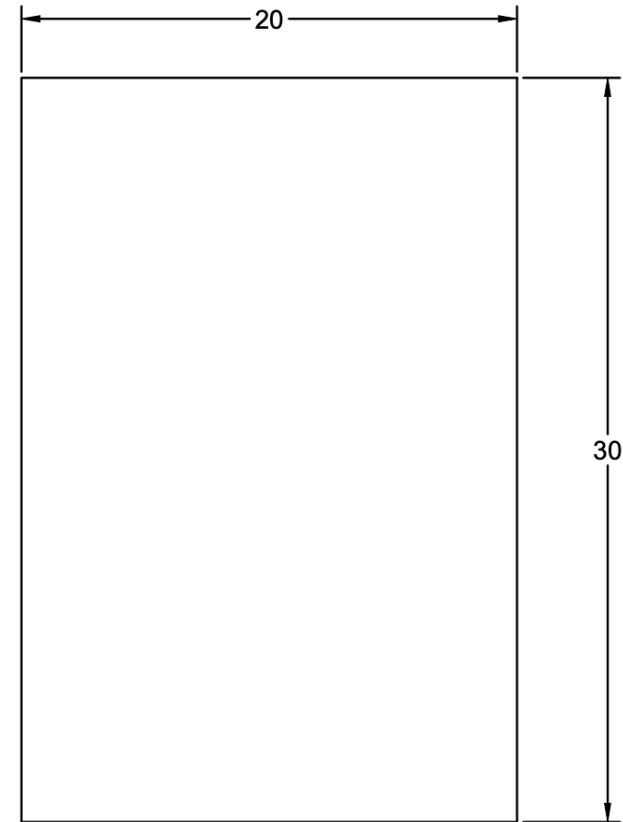


# Easy DIY Lemonade Stand

## Step 1: Cut Materials to length - continued



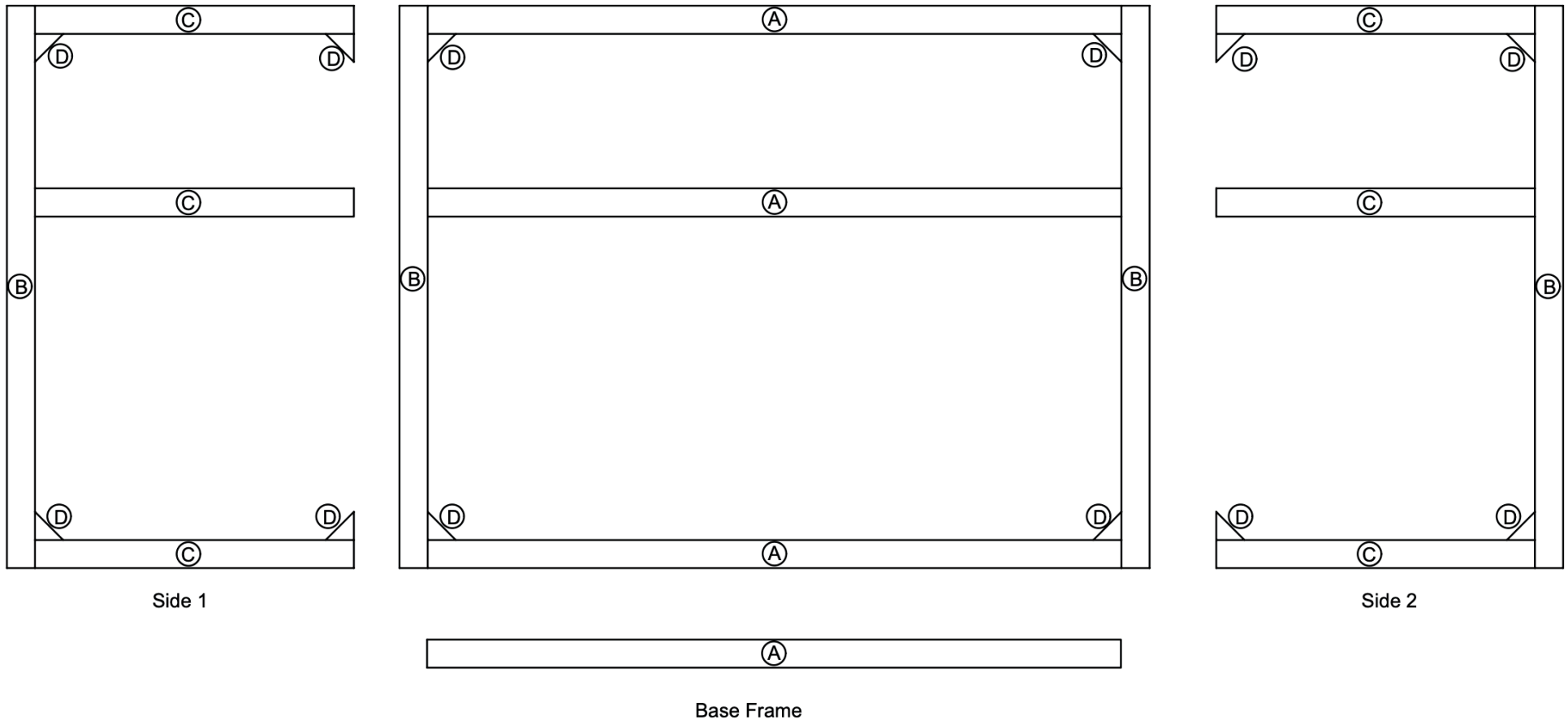
Front -  $\frac{1}{4}$  Plywood



Side -  $\frac{1}{4}$  Plywood  
(2 Required)

# Easy DIY Lemonade Stand

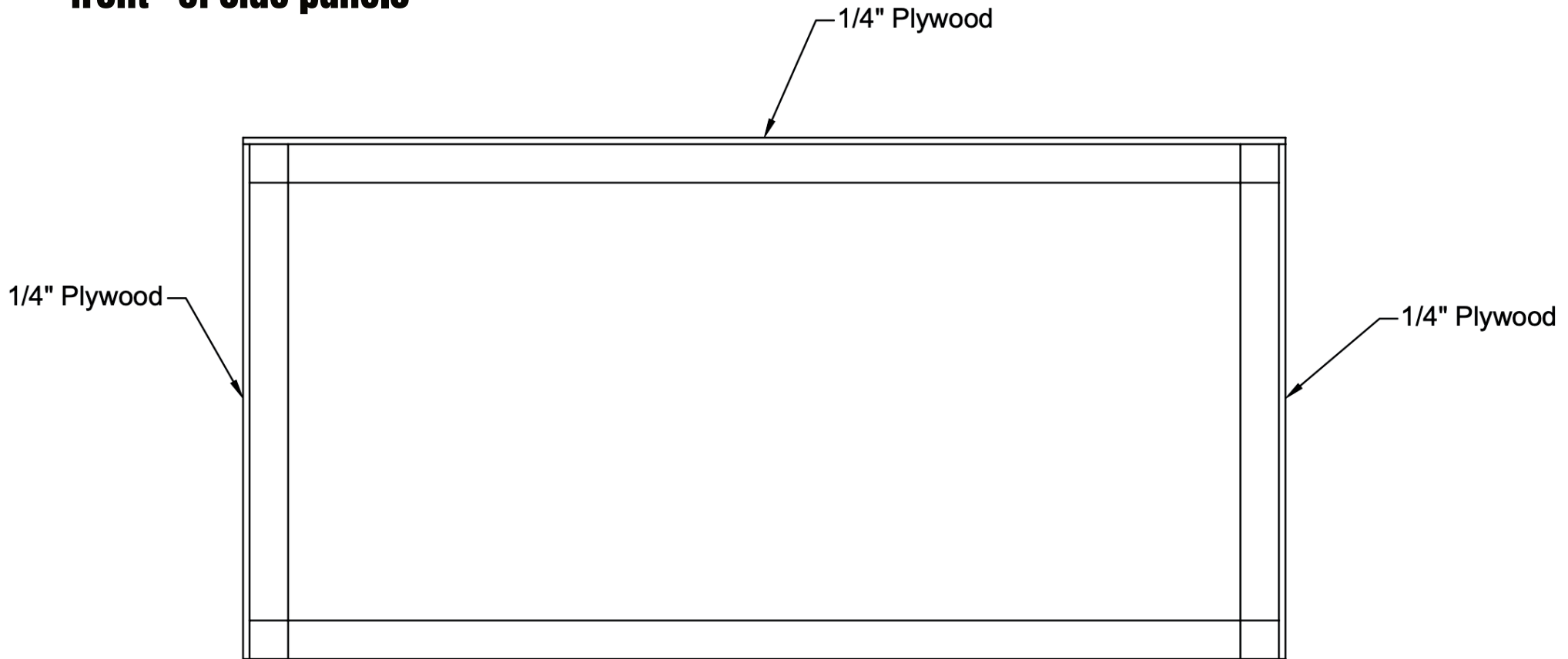
## Step 2: Assemble Base Frame as shown (Parts "D" can be added at end)



**Step 3: Assemble Base frame - add plywood shelf and than secure sides, front, Add gussets (part "D") once frame fully assembled. You can use pocket holes or screws with pilot holes to secure it all together. Note the shelf has part "A" at front and back of base frame**

# Easy DIY Lemonade Stand

**Step 4: Add 1/4" Plywood to sides and front of Base Frame - note front panel sits "in front" of side panels**

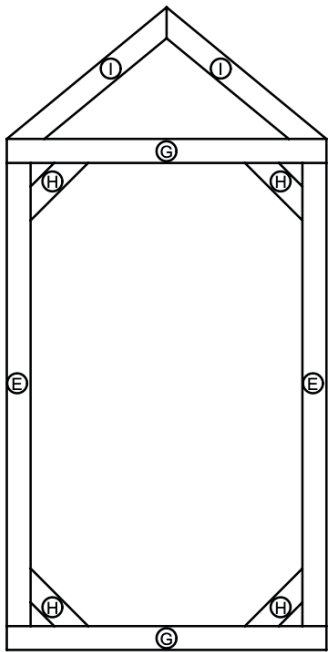


Top - Base Frame Profile

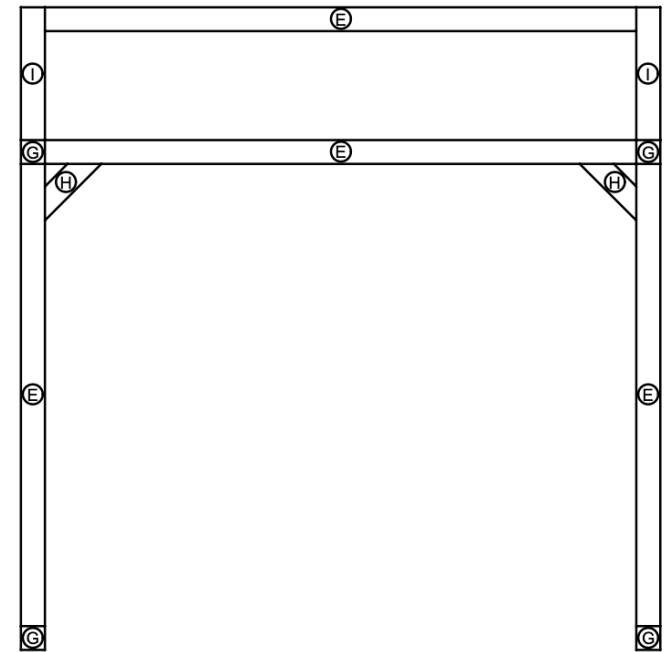
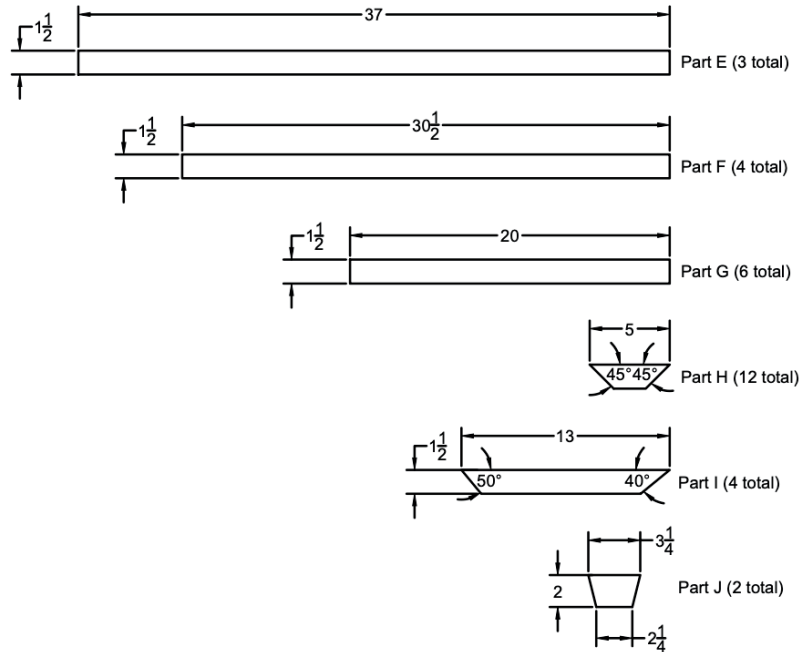


# Easy DIY Lemonade Stand

## Step 5: Assemble Top Frame as shown (Parts "H" can be added at end)



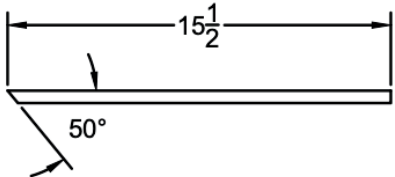
Top - Side Profile  
(2 required)



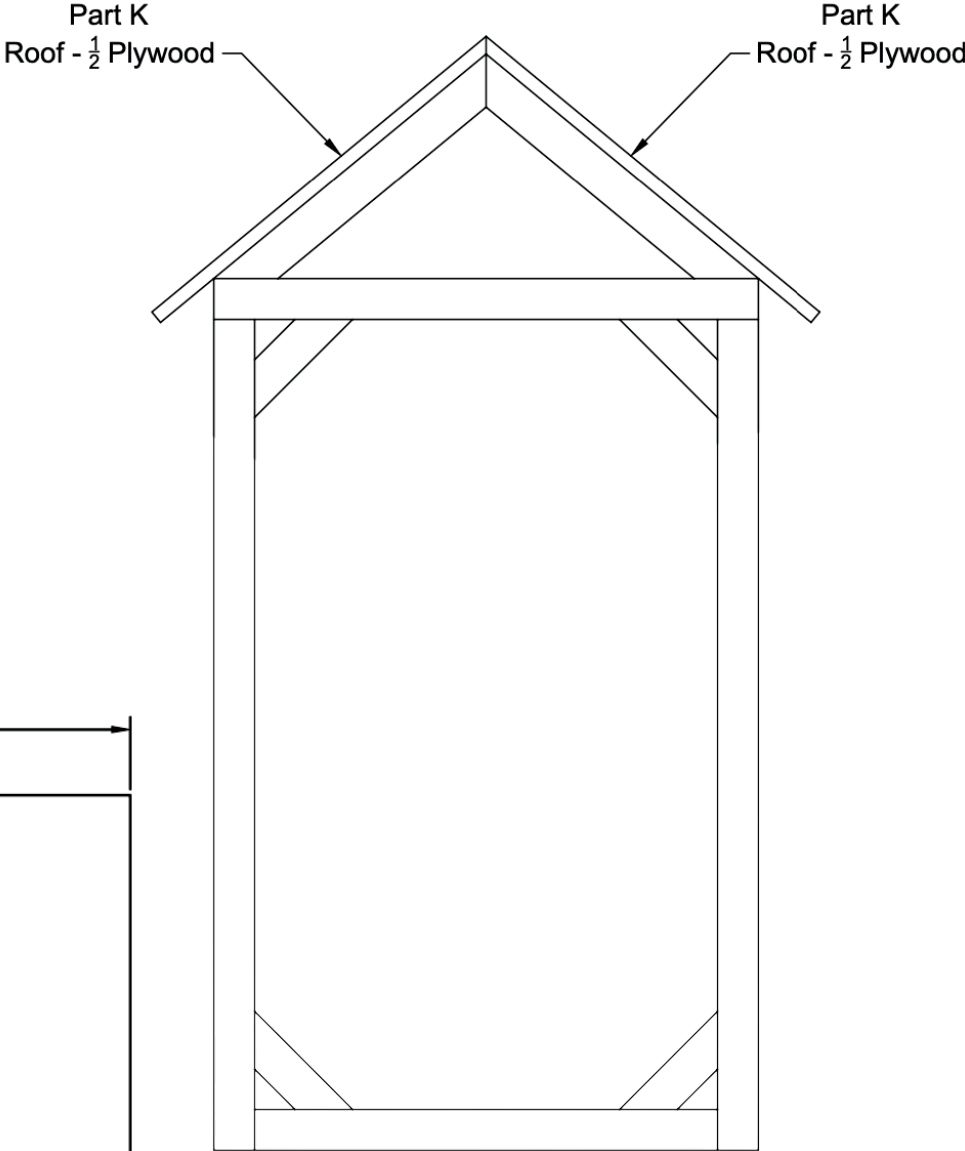
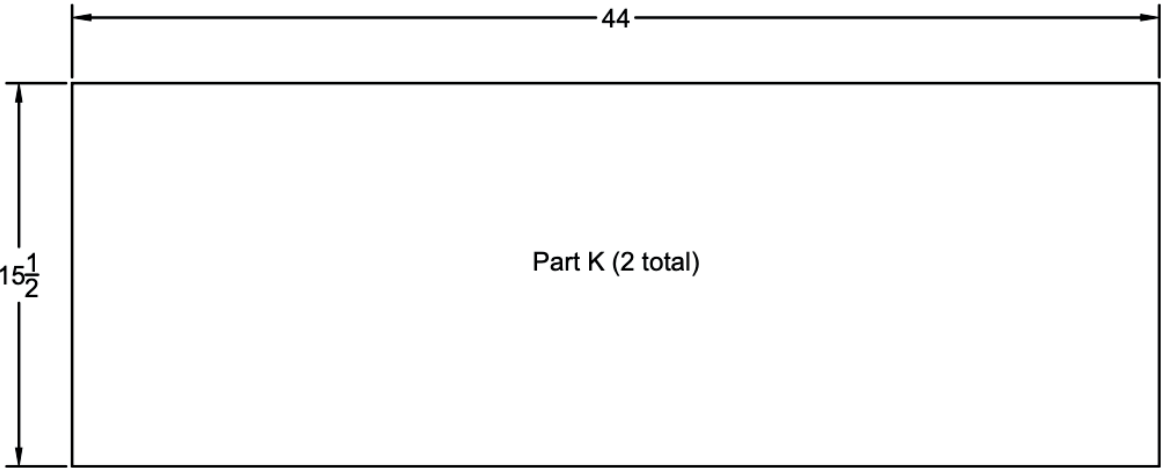
Top - Front Profile

# Easy DIY Lemonade Stand

## Step 6: Add roof to top frame



Roof Panels -  $\frac{1}{2}$  Plywood



# Easy DIY Lemonade Stand

**Step 7: At this point you may want to paint or stain your stand prior to attached the base, counter, roof, and top frame together**

**Step 8: Paint/finish the counter top and attach to your base frame. I used screw from the bottom to secure the counter top to the base frame. Note the counter top is flush to the back of the base frame and slightly over hangs the sides and front**

**Step 9: Secure top frame to base frame - screw from the top through “Part G” I use 2 screws per side (this will allow the top to be removed for storage or transport)**

**Step 9: Add Wheels, feet (Part J), and handle to base frame**

*See full build on YouTube: [Easy DIY Lemonade Stand](#)*

*see [how-to-make-an-easy-diy-lemonade-stand-with-build-plans](#) for further details to build this stand*

# Easy DIY Lemonade Stand

